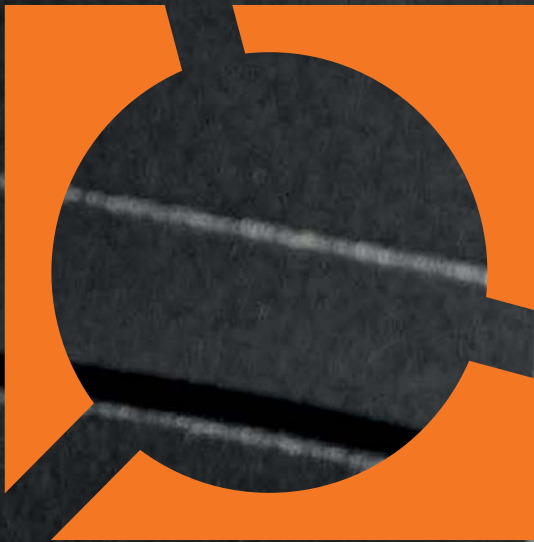



THE NEW DIGITAL REVOLUTION IN THE AUTOMATION SECTOR



THE BRUSHLESS MOTOR





The Roger Technology “Brushless” motor is a **digital three phase motor with permanent magnetic field.**

The word **Brushless** means a motor without brushes or collector. Inside the rotor are very special neodymium magnets made from a special alloy of Iron and Boron. This technology represents an electric motor which can operate consistently under intensive permanent use.

Due to its special windings and concentrated coils, the motor is powered by a three phase sinusoidal system. Available in low voltage 24V, 36V and 220V AC version, we have created

and produced an extremely compact engine designed to work in temperatures of all environments. This durable and very strong motor is capable of super intensive use with the added benefit of a very low power consumption. With the addition of the digital encoder, all aspects of safety can be completely managed.

- Digital Brushless motor on board with permanent magnetic field
- Brushless motor, no brushes no collector inside the motor
- Digital three-phase motor available in low voltage
- Neodymium magnets made from a special alloy of Iron and Boron
- Evoluted digital encoder on board
- Super intensive use of the motor
- Very low consumption of energy
- Constant torque during all the stroke of the engine
- Instant inversion
- Synchronous speed
- High efficiency
- The motor works also with very hostile environment conditions
- Connection between the motor and the control unit with an unique cable with 3 wires



BRUSHLESS MOTOR

SERIE E20



BE20/200

PRODUCT

Code	Product Description	Pcs/ Pallet
BE20/200	Electromechanical actuator BRUSHLESS, low voltage, super intensive use, with motor encoder onboard, irreversible, ideal for swing gates with leaf up to 2,2 mt lenght, with adjustable mechanical stopper in opening and closing	50

ACCESSORIES IN COMMON WITH 230V AC LINE

KT201/R	Screw-welded Long front bracket
KT203/R	Screw-adjustable long rear bracket
KT205/R	Kit of screw-adjustable long rear bracket and screw-welded long front bracket
KT202	Short front hinge plate, to weld
KT204	Short rear hinge plate, to weld
KT206	Kit 3 hinge plates short series, to weld
R99/C/001	Signboard "Automatic Opening"

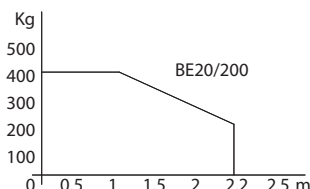
STANDARD ACCESSORIES

Always included in the individual product package or kit



KT206/R
Kit of screw-adjustable rear bracket and screw-welded front bracket - Pcs.1
MC781
Kit mechanical stop BE20, BR20 series - Pcs.2

Usage limits

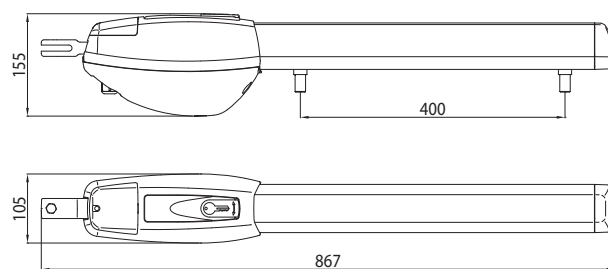


QUOTA "A" mm	QUOTA "B" mm	ANGOLO APERTURA
110	180	100°
110	210	95°
120	150	105°
120	200	100°
130	130	105°
150	130	120°
150	150	110°
150	200	100°
180	150	110°
180	180	100°
QUOTA "C" MAX mm	QUOTA "D" MAX mm	QUOTA "E" mm
100	770	92

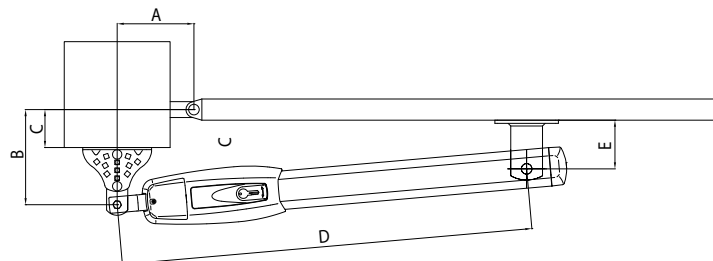
TECHNICAL FEATURES

Power Supply	230V AC - 115V AC 50/60Hz +-10%
Brushless motor power supply	24V
Motor power	200W
Frequency of use	Super intensive use
Operating temperature	-20 +55°C
Protection level	IP43
Opening time at 90°	15" - 25"
Manoeuvre speed:	1 -2 cm/s
Max thrust	100 - 2200 N
Stroke	400 mm
Encoder	Digital encoder onboard
Limit switch	Adjustable mechanical stopper in opening and closing
Digital controller recommend	230V AC: B70/2DC/BOX; 115V AC: B70/2DC115/BOX;
Cycles per day (opening/closing 24h no stop)	800

Dimensions



Predisposition for standard installation



BRUSHLESS MOTOR

SERIE R21



BR21/351

PRODUCT

Code	Product Description	Pcs/ Pallet
BR21/351	Electromechanical underground motor, BRUSHLESS, low voltage, super intensive use, with motor encoder onboard, irreversible, ideal for swing gates with leaf up to 4,5 mt; standard version with 2 mt cable	50

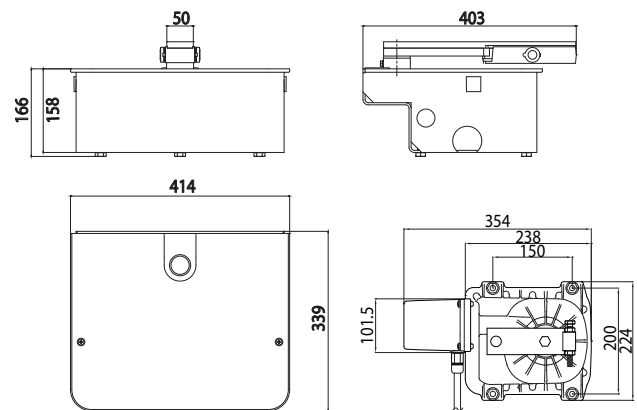
ACCESSORIES IN COMMON WITH 230V AC LINE

FU100	Cold galvanised foundation box and lid	30
FU101	Hot galvanised foundation box and lid	30
FU102	Hot galvanised foundation box and inox lid	30
FU103	Inox AISI 304 foundation box and lid	30
LT300	Levers for opening up to 125°	
LT301	Levers for opening up to 360°	
LT301/R	Levers for opening up to 360°, with reinforced chain	
RL650	Release system with standard lever	
RL650/R	Release system with standard lever. Version reinforced steel	
RL651	Release system with european cylinder key	
RL663	Long release lever for underground	
R99/C/001	Signboard "Automatic Opening"	

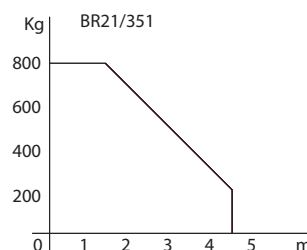
TECHNICAL FEATURES

Power Supply	230V AC - 115V AC 50/60Hz +-10%
Brushless motor power supply	24V - 36V
Motor power	200W
Frequency of use	Super intensive use
Operating temperature	-20 +55°C
Protection level	IP67
Opening time at 90°	19" - 29"
Manoeuvre speed:	1,66 cm/s
Max thrust	50 - 300 N
Standard opening	105°
Encoder	Digital encoder onboard
Limit switch	Mechanical stoppers (on the foundation box)
Digital controller recommend	230V AC: EDGE1/BOX 115V AC: EDGE1/BOX/115
Cycles per day (opening/closing 24h no stop)	1.300

Dimensions



Usage limits



BRUSHLESS MOTOR

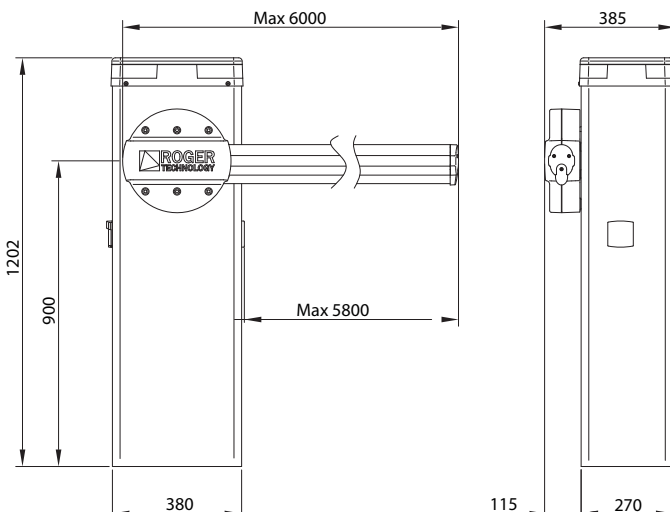
AGILIK 6



PRODUCT		
Code	Product Description	Pcs/ Pallet
AG/006	Digital Automatic Barrier Agilik 6 BRUSHLESS 36V DC super intensive use up to 6 meters, with operator and and built-in digital control panel and absolute encoder on board	6
AG/006/IS	Digital Automatic Barrier Agilik 6 BRUSHLESS 36V DC super intensive use up to 6 meters, with operator and and built-in digital control panel and absolute encoder on board, version with housing unit made in brushed stainless steel AISI 304	6
AG/006/115V	Digital Automatic Barrier Agilik 6 BRUSHLESS 36V DC super intensive use up to 6 meters, with operator and built-in digital control panel and absolute encoder on board for power supply 115V	6
AG/006/115V/IS	Digital Automatic Barrier Agilik 6 BRUSHLESS 36V DC super intensive use up to 6 meters, with operator and built-in digital control panel and absolute encoder on board for power supply 115V, version with housing unit made in brushed stainless steel AISI 304	6

TECHNICAL FEATURES	
Barriers	Up to 6 mt long
Frequency of use	Super intensive use
Travel control system	Digital Absolute Encoder (SENSORED)
Power Supply	230V AC - 115V AC 50/60Hz +-10%
Brushless motor power supply	From 0 to 36V DC
Motor absorption	From 0 to 15A
Motor power	200W
Torque at the gear	From 0 to 300 Nm
Opening - closing time at 90°	4 ÷ 8 (sec)
Operating temperature	- 20 + 55 C°
Protection Level	IP54
Accessories power supply	24V DC
Control unit (built-in)	AG/CTRL Digital Controller 36V DC
Release system	European Key cylinder
Batteries recovery	Available (optional)
BUS synchronization Master/Slave	Yes
Cycles per day (opening/closing 24h no stop)	4.000 (both)

Dimensions






STANDARD ACCESSORIES
Always included in the individual product package or kit

KT230
Foundation plate for the ground fixing with fixing screws and bolts - Pcs.1

**inox version with KT230/IS*

ACCESSORIES

	AG/SP83/01	Balancing spring diameter 83 mm; for bar from 4 meters to 6 meters
	AG/SP85/01	Spring diameter 85mm for series Agilik barriers, for boom arm up to 6 meters (with rack and mobile support installed on boom arm)
	AG/BLED	Flashing light circuit with 4 led cards for the head of the barriers Agilik
	AG/ALED12C	Luminous led cord of 12 meters for bar up to 6 meters with connection cable
	AG/BA2/01	White painted elliptical aluminium bar 2 meters length with slot cover and impact resisteng rubber profile
	AG/BA3/01	White painted elliptical aluminium bar 3 meters length with slot cover and impact resisteng rubber profile.
	AG/BA4/01	White painted elliptical aluminium bar 4 meters length with slot cover and impact resisteng rubber profile
	AG/BA6/01	White painted elliptical aluminium bar 6 meters length with slot cover and impact resisteng rubber profile
	AG/BARK/02	Painted aluminium rack for bars. Modules of 2 m length
	AG/BAFS/01	Fixed support for bars
	AG/BAFS/02	Adjustable fixed support for bars
	AG/BAFS/03	Fixing support with bolt predisposition for bars
	AG/BAFS/04	Adjustable fixed support with predisposition to bolt for bars
	AG/BAFS/05	Fixed end rest with rubber, adjustable, telescopic with rubber bufer and integrated magnet 250 kg
	AG/BAMS/01	Mobile support for bars
	AG/BAMS/01/EXT	Extension 16cm for mobile support for bars (AG/BAMS/01)
	AG/BAJ/01	Internal boom bar joint in anodized aluminum including fixing screws for bars Agilik series
	KT230	Foundation plate for the ground fixing with fixing screws and bolts
	KT230/IS	Foundation plate in stainless steel AISI 304, for the ground fixing with fixing screws and bolts
	KT231	Foundation plate for fixing support for bars
	AG/BASB40	Package of 40 red adhesive refracting strip
	DLD1/24	Loop detector for 1 loop, 2 output, 24V AC/DC
	DLD2/24	Loop detector for 2 loop, 2 output + output alarm, 24V AC/DC
	KT239	Kit DIN rail with magnetic support

ROGER[®] BRUSHLESS



PREMIUM DEALER / AUTHORISED DEALER



WWW.WEAREBRUSHLESS.COM

ROGER TECHNOLOGY

Via S. Botticelli, 8 - 31021, Bonisiolo di Mogliano Veneto (TV) - ITALY

T. +39 041 5937023 - F. +39 041 5937024

info@rogertechnology.it

WWW.ROGERTECHNOLOGY.COM