

Parking Barrier Gate (ST201)



(Color board)

Parameters:

Maximum straight boom length	5s type	2 - 4.5m
	6s type	6m
Opening and closing times	5s/6s	
Voltage	220V/110V ±10%	
Frequency	60Hz/50Hz	
Motor power consumption	100W	
Working temperature	-40° to 85°	
Housing dimension	350(Width)*270(Depth)*1020(Height)mm	
Weight not including barrier boom	40kgs	
Drive	Torque motor	
Maximum Remote Control Distance	20m	

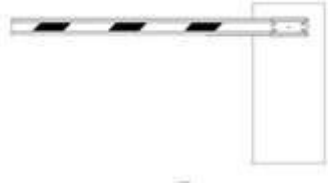
Features:

- Integative machine core: all part is made by mold, so all part can be more accurate. And the barrier gate can be much more stable.
- Left or right installed can be amendable. Customer can amend install direction by himself.
- Accurate link mechanism: link mechanism can release arm's shake and motor load, so the barrier gate can move more stable and barrier gate's working life can be more longer.
- 70W turbine worm trasmission deceleration induction motor: Drive Steady, Noise Lower Structures Compact, can realize self-locking.

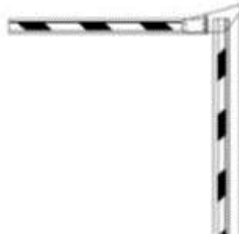
Shining Tech Inc
 Shining international Tech Limited
 Address: Block B, Dandan Industrial Park, Bantian, Long District, Shenzhen, China, 518129
 Tel: +86 755 89398806 Fax: +86 755 89398986
 Marketing: marketing@shiningsecurity.com
 Technical: technical01@shiningsecurity.com

Boom Type

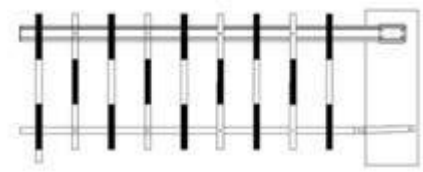
Straight Boom



Folding Boom

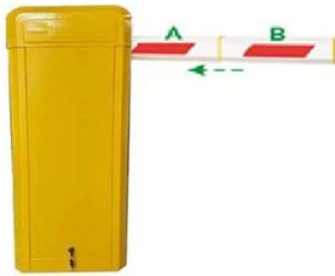


Fence Boom



Type	Opening and close times	Maximum boom length
Straight Boom	5s	2 - 4.5m
	6s	6m
Folding Boom	5s	4.5m
	6s	6m
Fence Boom	6s	5m

Retractable Straight Boom, easy for transportation (Optional):



A = Master Boom, B = Slave Boom
 $B \leq A$

Part B can be contracting inside in part A. This boom design is served for easy – transportation. From now on, 6m boom transportation can be easier and more convenient. 6m straight boom can be made as 4m + 2m or 3m + 3m.

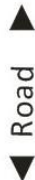
Direction:



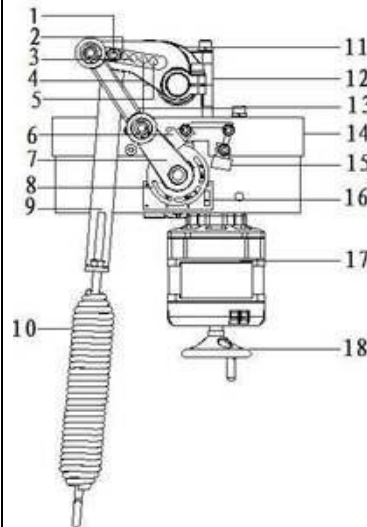
Right-hand version



Left-hand version



Machine core:



1. Hole for 6m boom
2. Hole for 5m boom
3. Hole for 4-5m boom
4. Hole for 4m boom
5. Hole for 3m boom
6. Mechanical limited switch – horizontal
7. Transmission shaft 1
8. Hall sensor
9. Spring shaft
10. Spring
11. Transmission shaft 2
12. Base to support shaft 2
13. Transmission shaft 3
14. Mechanical limited switch – vertical
15. Support base
16. Hall sensor
17. Motor
18. Motor handle